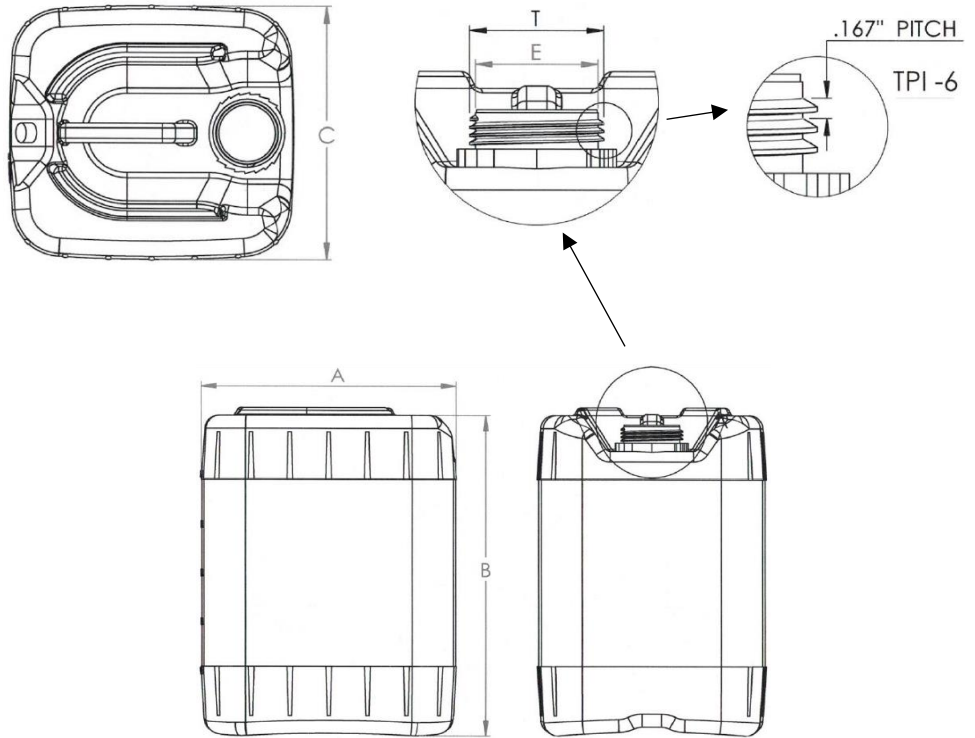


# API KIRK CONTAINERS

## 5 GALLON SAMSON STACKER



Mold	159
Material	HDPE - FDA APPROVED
Height	14.30"
Length	11.20"
Width	10.10"
Neck Finish	70 mm
Weight	3.10 lbs / 1400 gr
Pallet Dimension	48 x 48 x105
Shipping Units	140
Pallet Weight	484 lbs



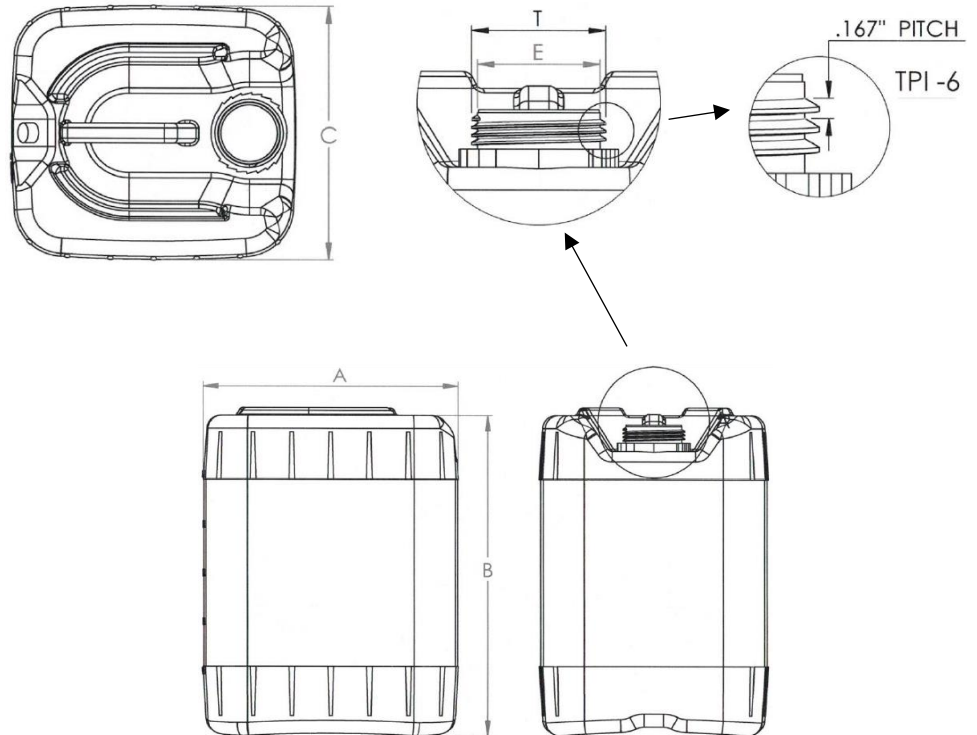
+1 (323) 888-1077  
 info@apikirkcontainers.com  
 www.apikirkcontainers.com

For UN compliance, please refer to our UN testing certification and closing instructions. Available upon request.

All measurements are approximate and subject to change.

# API KIRK CONTAINERS

## 5 GALLON SAMSON STACKER



Mold	171
Material	HDPE - FDA APPROVED
Height	14.30"
Length	11.30"
Width	10.00"
Neck Finish	70 mm
Weight	3.10 lbs / 1400 gr
Pallet Dimension	48 x 48 x 105
Shipping Units	140
Pallet Weight	470 lbs



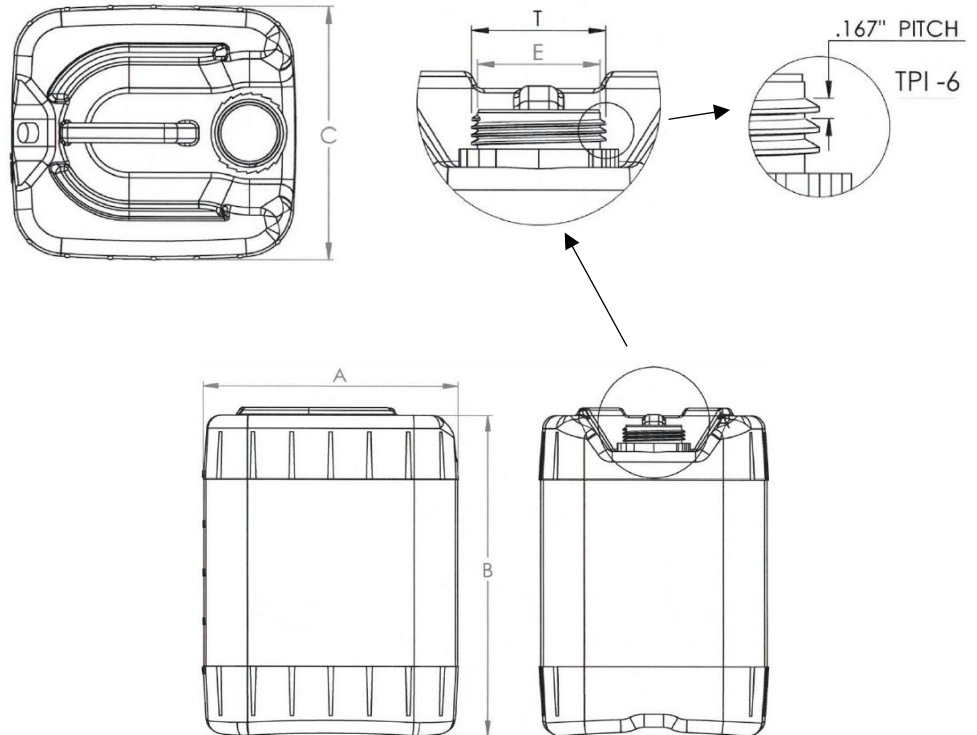
+1 (323) 888-1077  
 info@apikirkcontainers.com  
 www.apikirkcontainers.com

For UN compliance, please refer to our UN testing certification and closing instructions. Available upon request.

All measurements are approximate and subject to change.

# API KIRK CONTAINERS

## 5 GALLON SAMSON STACKER



Mold	172
Material	HDPE - FDA APPROVED
Height	14.20"
Length	11.50"
Width	10.00"
Neck Finish	70 mm
Weight	3.10 lbs / 1400 gr
Pallet Dimension	48 x 48 x 105
Shipping Units	140
Pallet Weight	456 lbs

