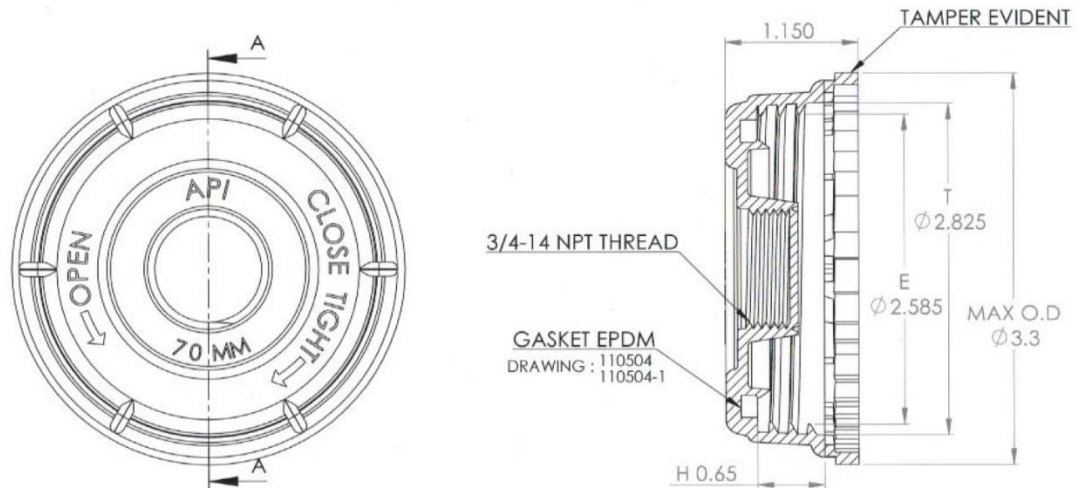


# API KIRK CONTAINERS

## 70 mm screw cap with 3/4" knock out TE



|                    |                     |
|--------------------|---------------------|
| Mold               | 103                 |
| Material           | HDPE - FDA APPROVED |
| Gasket             | EPDM - FDA APPROVED |
| Height             | 1.15"               |
| Top                | 2.825"              |
| Bottom             | 3.30"               |
| Weight with Gasket | 0.08 lbs / 38 gr    |
| Case Count         | 420                 |
| Unit per Pallet    | 30                  |

