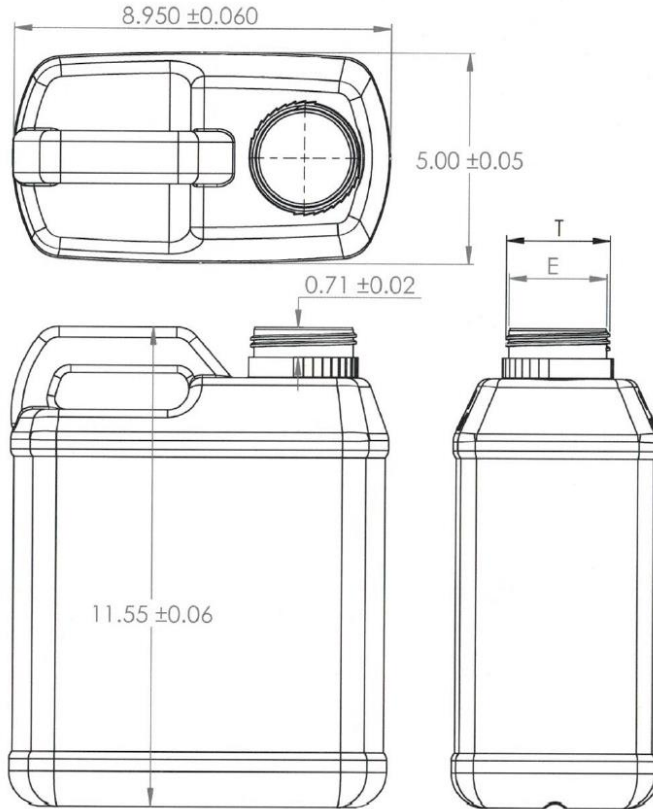


API KIRK CONTAINERS

6 LITER BOTTLE



Mold	166
Material	HDPE - FDA Approved
Height	11.55"
Length	8.95"
Width	5.00"
Neck Finish	63 mm
Weight	0.66 lbs / 300 gr

