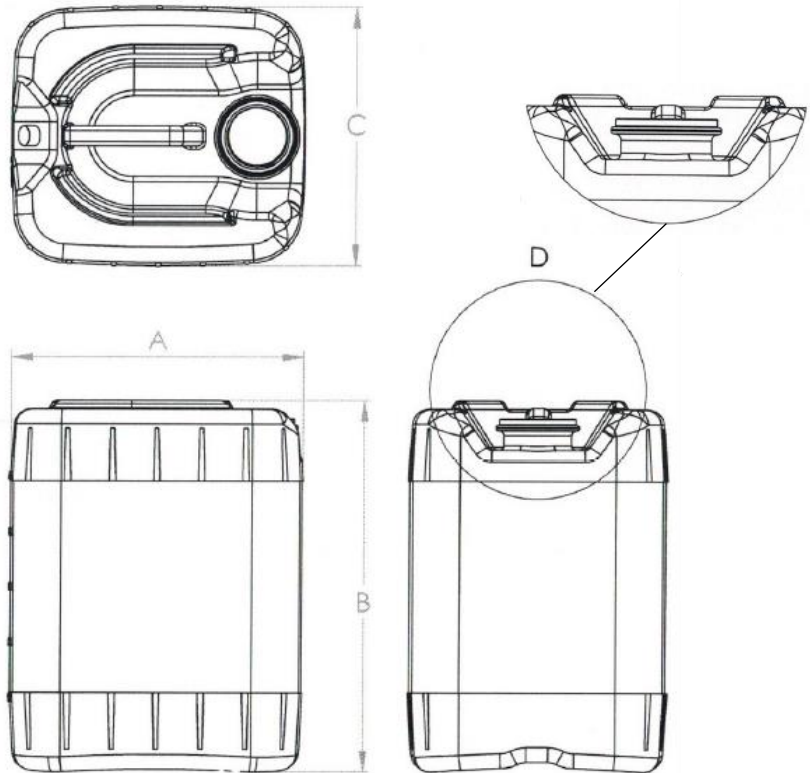


API KIRK CONTAINERS

5 GAL SAMSON STACKER INTERNAL BUNG THREAD



Mold	172
Material	HDPE - FDA APPROVED
Height	14.40"
Length	11.50"
Width	10.00"
Neck Finish	70 mm
Weight	3.10 lbs / 1400 gr
Pallet Dimension	48 x 48 x 105
Shipping Units	140
Pallet Weight	456 lbs

