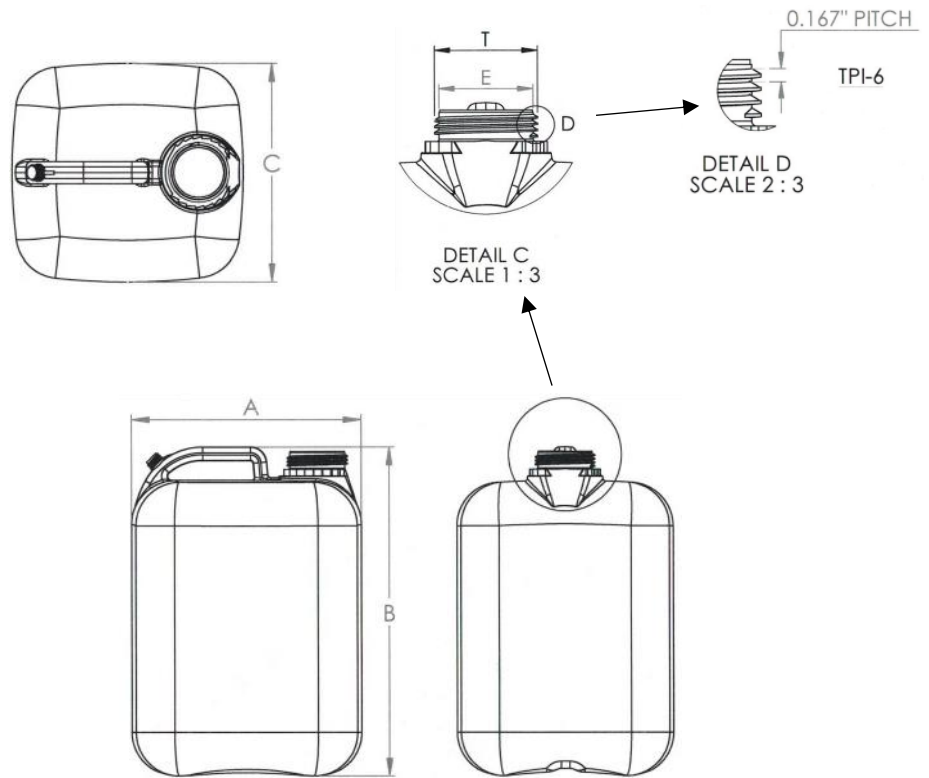


# API KIRK CONTAINERS

## 5 GALLON SAMSON PAK



Mold	158
Material	HDPE - FDA APPROVED
Height	14.90"
Length	10.50"
Width	9.70"
Neck Finish	70 mm
Weight	1.18 lbs / 535 gr
Pallet Dimension	48 x 42 x 110
Shipping Units	120
Pallet Weight	191 lbs



+1 (323) 888-1077  
 info@apikirkcontainers.com  
 www.apikirkcontainers.com

For UN compliance, please refer to our UN testing certification and closing instructions. Available upon request.

All measurements are approximate and subject to change.