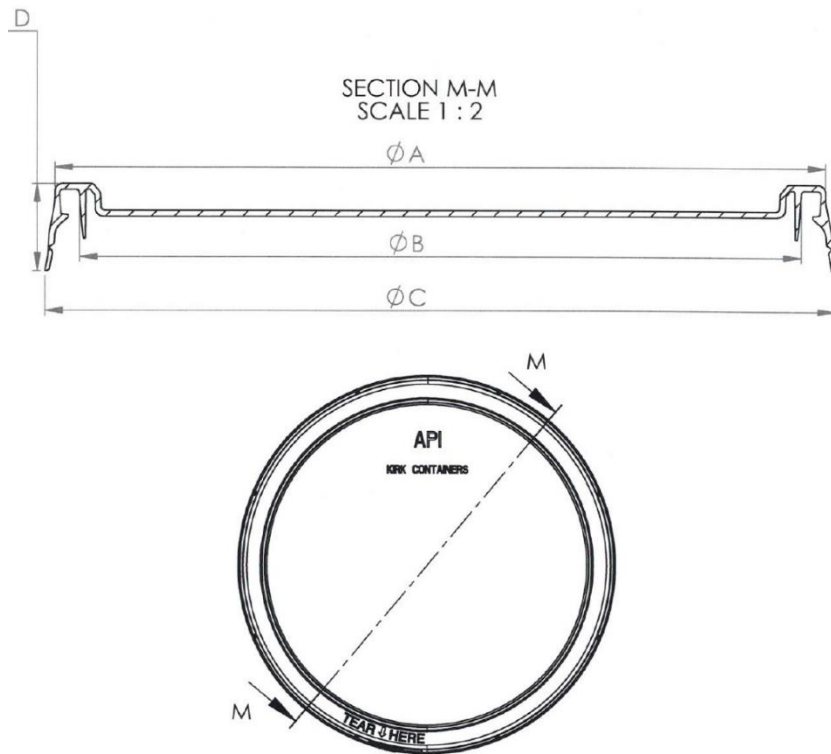


API KIRK CONTAINERS 5 GALLON PEEL-OFF LID



Mold	257
Material	HDPE
Gasket	EPDM - FDA APPROVED
Height	1.35"
Inner Diameter	11.30"
Outer Diameter	12.48"
Wall Thickness	0.09"
Weight with Gasket	0.68 lbs / 310 gr
Case Count	60
Pallet Dimension	48 x 40 x 94
Shipping Units	1,200
Pallet Weight	795 lbs



+1 (323) 888-1077

info@apikirkcontainers.com

www.apikirkcontainers.com

All measurements are approximate and subject to change.