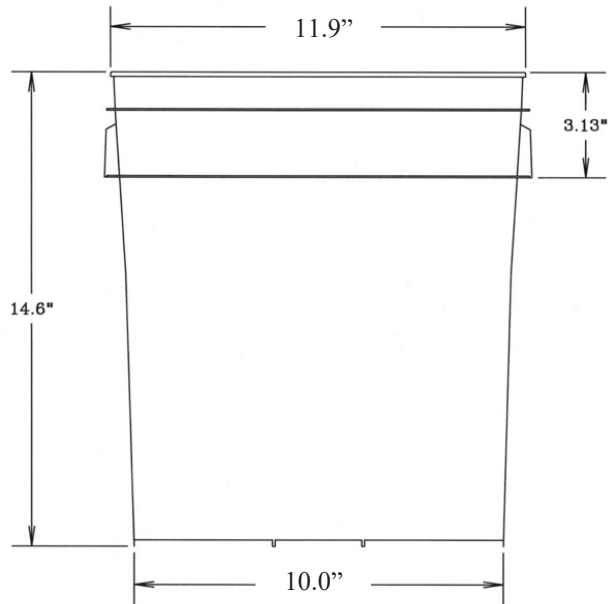


API KIRK CONTAINERS

5 GALLON PAIL



Mold	8
Material	HDPE - FDA APPROVED
Height	14.52"
Top	11.90"
Bottom	10.00"
Wall Thickness	0.07"
Weight	1.69 lbs / 770 gr
Available Handles	Metal or Plastic
Pallet Dimension	48 x 40 x 90
Shipping Units	240
Pallet Weight	424 lbs



+1 (323) 888-1077
 info@apikirkcontainers.com
 www.apikirkcontainers.com

All measurements are approximate and subject to change.