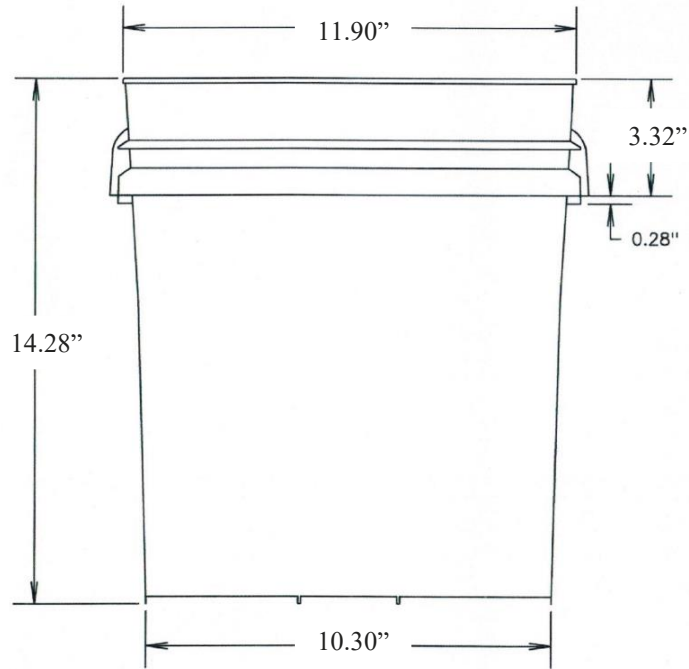


API KIRK CONTAINERS

5 GALLON PAIL



Mold	21
Material	HDPE - FDA APPROVED
Height	14.28"
Top	11.90"
Bottom	10.30"
Wall Thickness	0.09"
Weight	2.12 lbs / 962 gr
Available Handles	Metal or Plastic
Pallet Dimension	48 x 36 x 98
Shipping Units	240
Pallet Weight	563 lbs

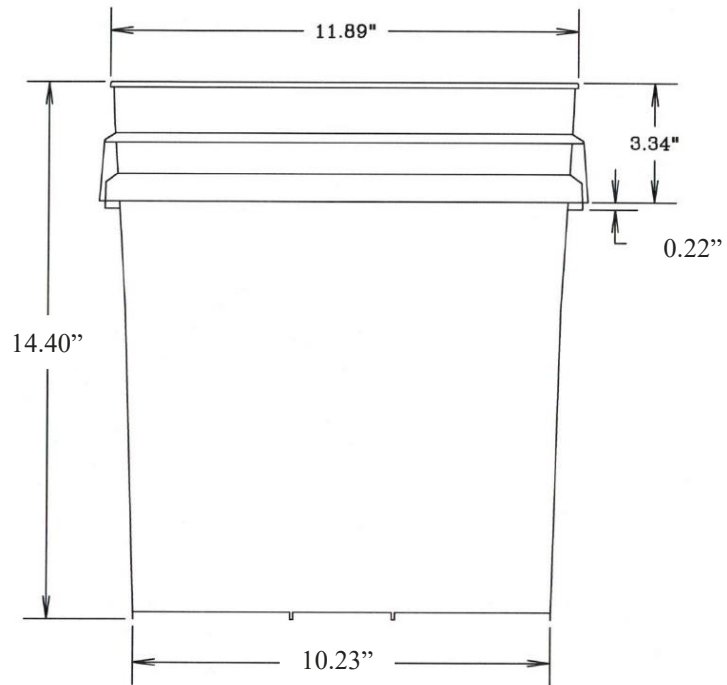


+1 (323) 888-1077
 info@apikirkcontainers.com
 www.apikirkcontainers.com

All measurements are approximate and subject to change.

API KIRK CONTAINERS

5 GALLON PAIL



Mold	22
Material	HDPE - FDA APPROVED
Height	14.40"
Top	11.89"
Bottom	10.23"
Wall Thickness	0.09"
Weight	1.99 lbs / 900 gr
Available Handles	Metal or Plastic
Pallet Dimension	48 x 36 x 98
Shipping Units	240
Pallet Weight	516 lbs

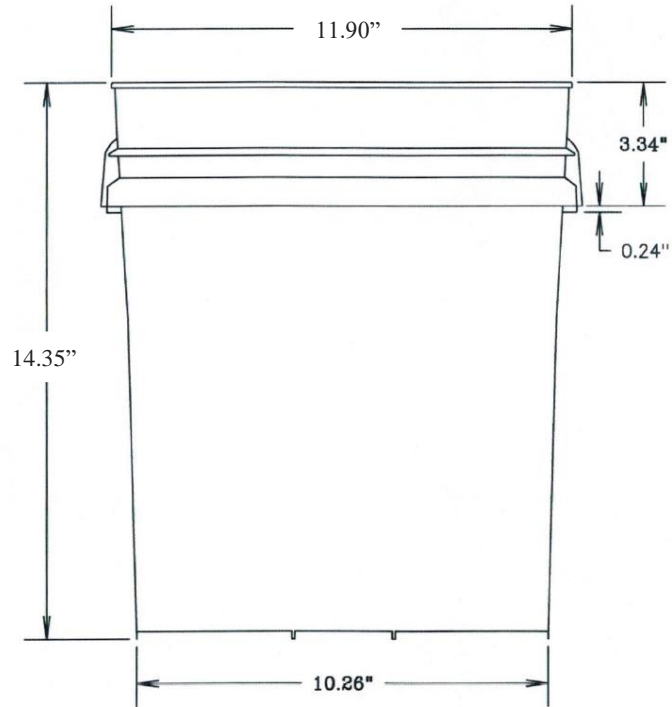


+1 (323) 888-1077
 info@apikirkcontainers.com
 www.apikirkcontainers.com

All measurements are approximate and subject to change.

API KIRK CONTAINERS

5 GALLON PAIL



Mold	24
Material	HDPE - FDA APPROVED
Height	14.37"
Top	11.90"
Bottom	10.26"
Wall Thickness	0.09"
Weight	1.98 lbs / 099 gr
Available Handles	Metal or Plastic
Pallet Dimension	48 x 36 x 98
Shipping Units	240
Pallet Weight	525 lbs



+1 (323) 888-1077

info@apikirkcontainers.com

www.apikirkcontainers.com

All measurements are approximate and subject to change.