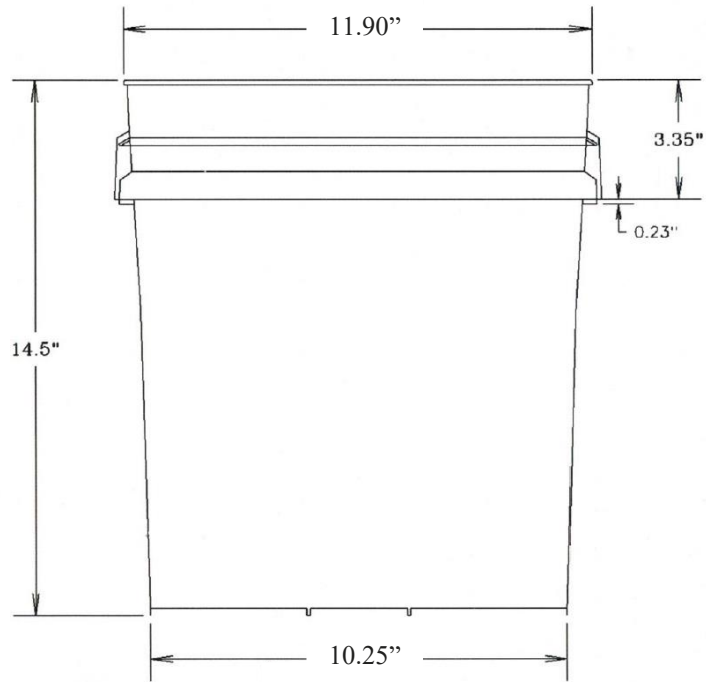


# API KIRK CONTAINERS

## 5 GALLON PAIL



Mold	12
Material	HDPE - FDA APPROVED
Height	14.50"
Top	11.90"
Bottom	10.25"
Wall Thickness	0.09"
Weight	2.00 lbs / 908 gr
Available Handles	Metal or Plastic
Pallet Dimension	48 x 36 x 100
Shipping Units	240
Pallet Weight	522 lbs

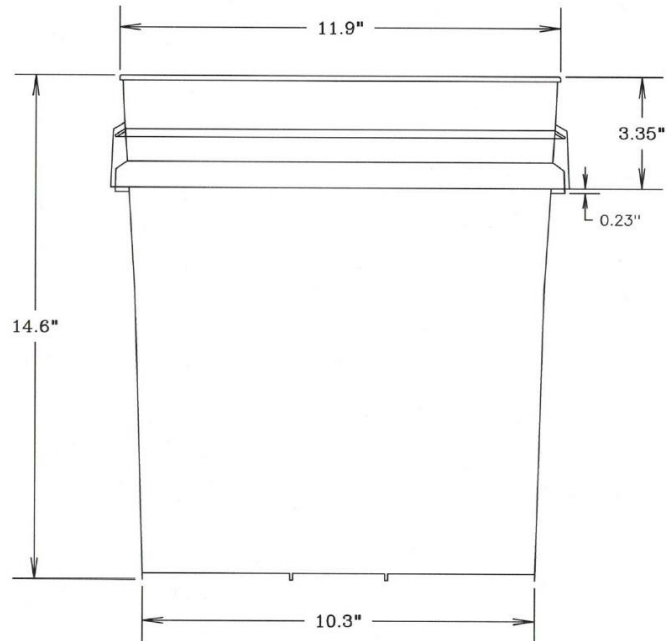


+1 (323) 888-1077  
 info@apikirkcontainers.com  
 www.apikirkcontainers.com

All measurements are approximate and subject to change.

# API KIRK CONTAINERS

## 5 GALLON PAIL



Mold	20
Material	HDPE - FDA APPROVED
Height	14.60"
Top	11.90"
Bottom	10.30"
Wall Thickness	0.09"
Weight	1.98 lbs / 900 gr
Available Handles	Metal or Plastic
Pallet Dimension	48 x 36 x 100
Shipping Units	240
Pallet Weight	522 lbs



+1 (323) 888-1077  
info@apikirkcontainers.com  
www.apikirkcontainers.com

All measurements are approximate and subject to change.