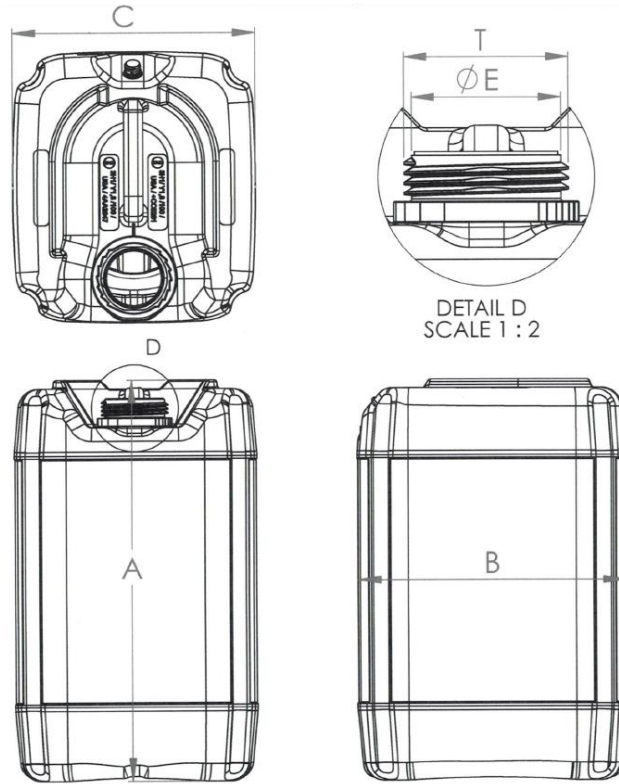


API KIRK CONTAINERS

5 GALLON SAMSON STACKER



Mold	173
Material	HDPE - FDA APPROVED
Height	14.70"
Length	11.16"
Width	9.92"
Neck Finish	70 mm
Weight	2.64 lbs / 1200 gr
Shipping Units	140
Pallet Weight	420 lbs



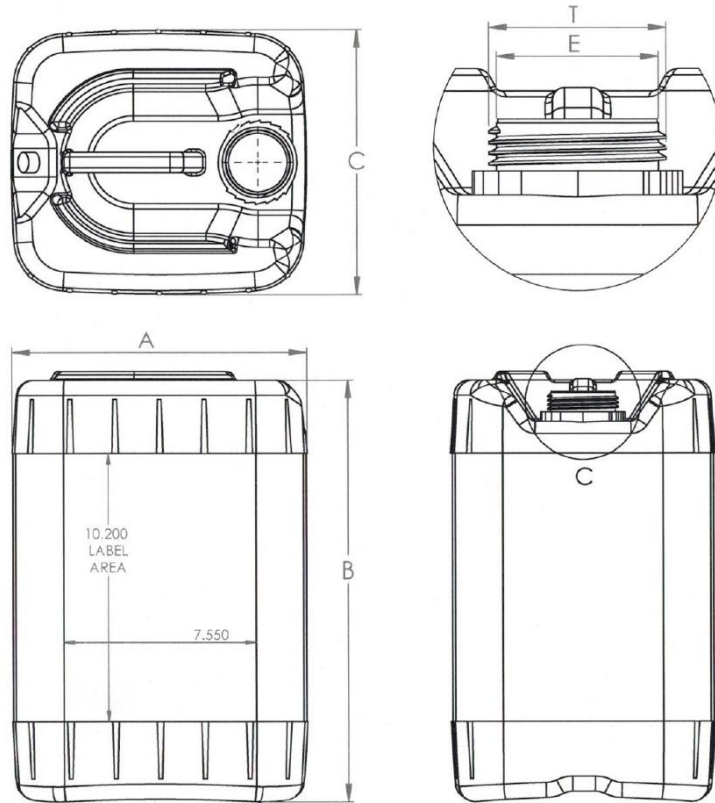
+1 (323) 888-1077
 info@apikirkcontainers.com
 www.apikirkcontainers.com

For UN compliance, please refer to our UN testing certification and closing instructions. Available upon request.

All measurements are approximate and subject to change.

API KIRK CONTAINERS

6 GALLON SAMSON STACKER



Mold	176
Material	HDPE - FDA APPROVED
Height	16.15"
Length	11.75"
Width	10.10"
Neck Finish	70 mm
Weight	3.52 lbs / 1600 gr
Pallet Dimension	48 x 48 x 101
Shipping Units	120
Pallet Weight	473 lbs



For UN compliance, please refer to our UN testing certification and closing instructions. Available upon request.

All measurements are approximate and subject to change.