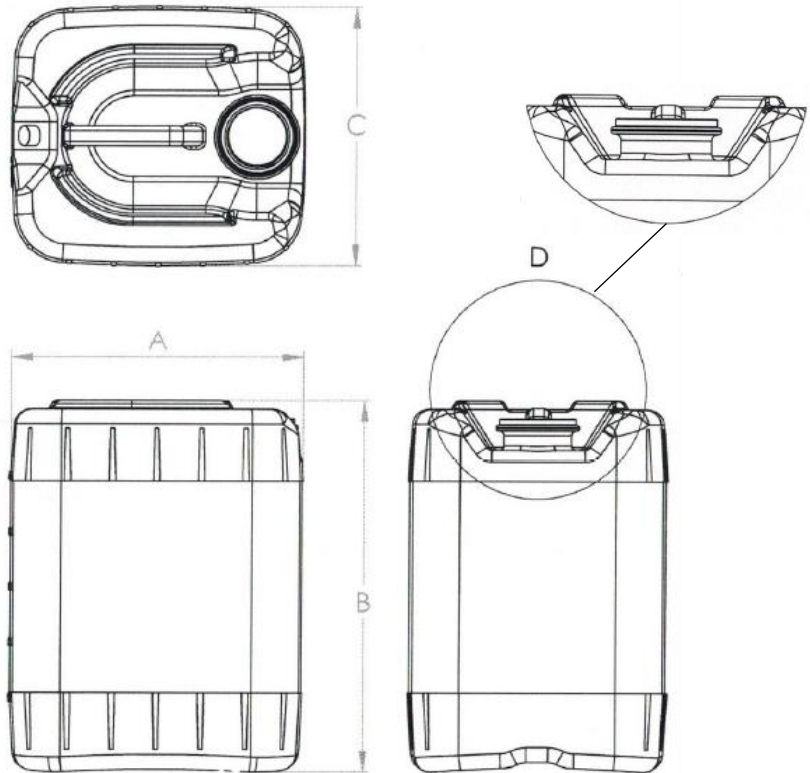


API KIRK CONTAINERS

5 GAL SAMSON STACKER INNER THREAD

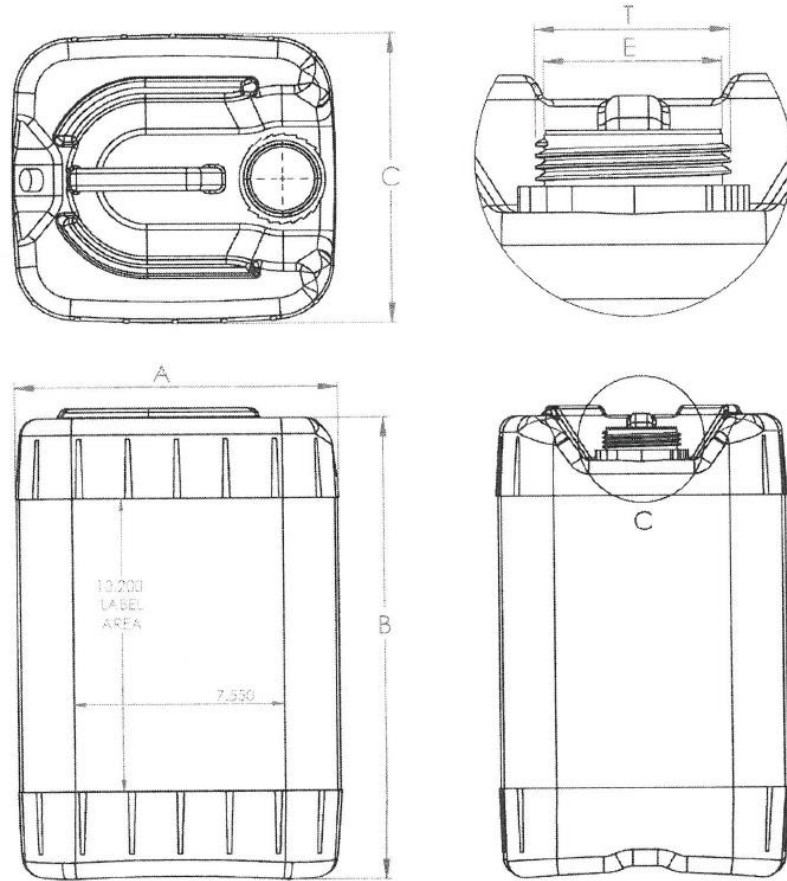


Mold	172
Material	HDPE
Height	14.40"
Length	11.50"
Width	10.00"
Neck Finish	70 mm
Weight	3.10 lbs / 1400 gr
Pallet Dimension	48 x 48 x 105
Shipping Units	140
Pallet Weight	456 lbs



API KIRK CONTAINERS

6 GAL SAMSON STACKER INNER THREAD



Mold	176
Material	HDPE - FDA APPROVED
Height	16.15"
Length	11.75"
Width	10.10"
Neck Finish	70 mm
Weight	3.52 lbs / 1600 gr
Pallet Dimension	48 x 48 x 101
Shipping Units	120
Pallet Weight	473 lbs



+1 (323) 888-1077
 info@apikirkcontainers.com
 www.apikirkcontainers.com

For UN compliance, please refer to our UN testing certification and closing instructions. Available upon request.

All measurements are approximate and subject to change.