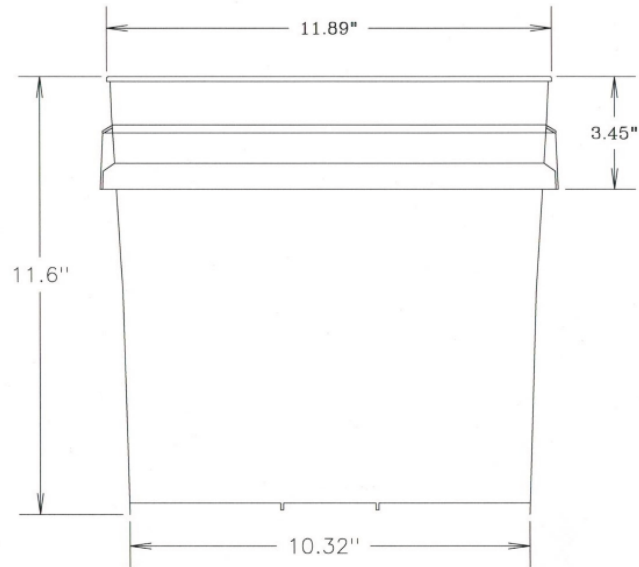


API KIRK CONTAINERS

4.25 GALLON PAIL



Mold	35
Material	HDPE - FDA APPROVED
Height	11.65"
Top	11.90"
Bottom	10.32"
Wall Thickness	0.09"
Weight	1.67 lbs / 750 gr
Available Handles	Metal or Plastic
Pallet Dimension	48 x 40 x 90
Shipping Units	240
Pallet Weight	465 lbs



+1 (323) 888-1077

info@apikirkcontainers.com

www.apikirkcontainers.com

All measurements are approximate and subject to change.