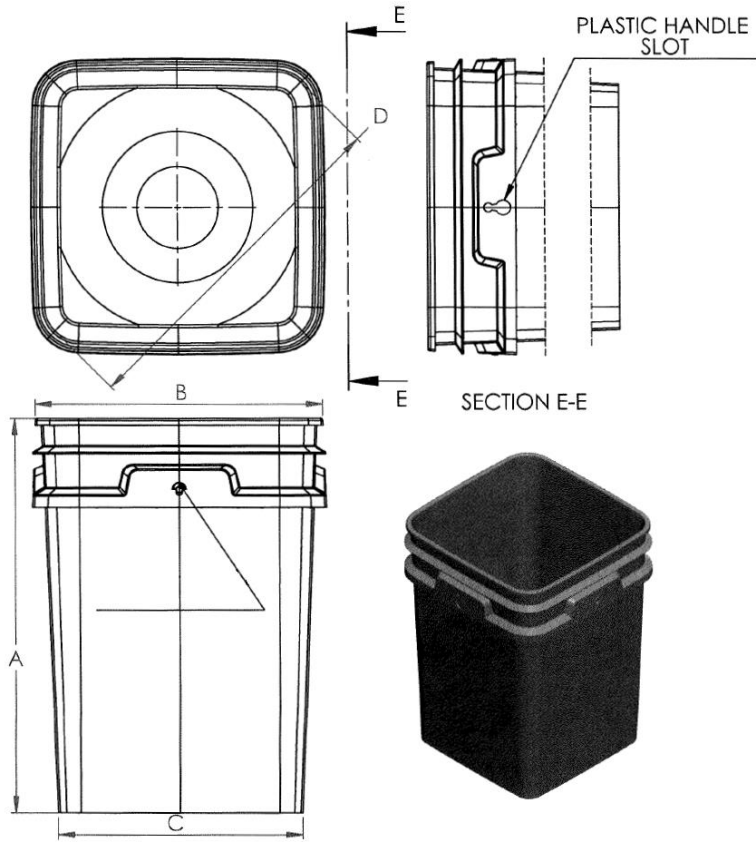


API KIRK CONTAINERS

4 GALLON SQUARE PAIL



Mold	76
Material	HDPE - FDA APPROVED
Height	13.36"
Top	9.80"
Bottom	8.30"
Wall Thickness	0.07"
Weight	1.50 lbs / 685 gr
Available Handle	Plastic
Pallet Dimension	52 x 42 x 102
Shipping Units	480
Pallet Weight	800 lbs



+1 (323) 888-1077
 info@apikirkcontainers.com
 www.apikirkcontainers.com

All measurements are approximate and subject to change.