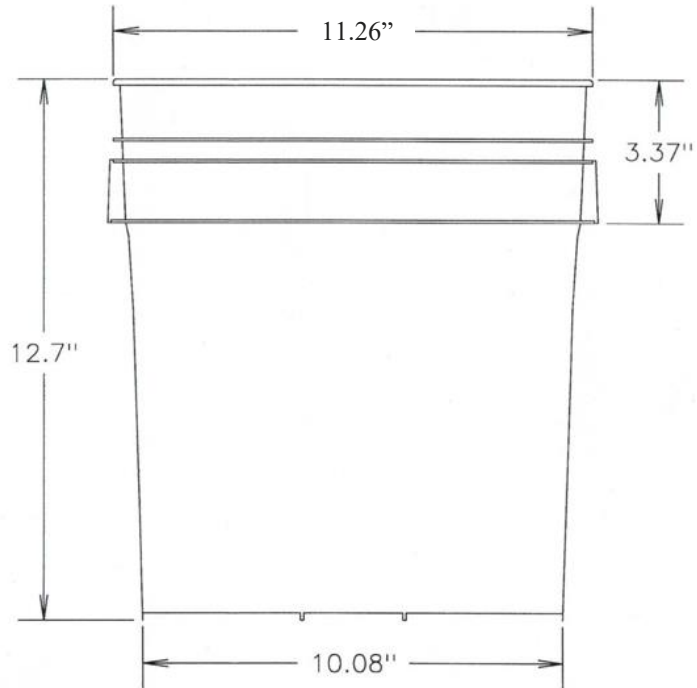


API KIRK CONTAINERS

4 GALLON PAIL



Mold	30B
Material	HDPE - FDA APPROVED
Height	12.70"
Top	11.26"
Bottom	10.08"
Wall Thickness	0.07"
Weight	1.33 lbs / 604 gr
Available Handles	Metal or Plastic
Pallet Dimension	48 x 36 x 110
Shipping Units	288
Pallet Weight	448 lbs



+1 (323) 888-1077

info@apikirkcontainers.com

www.apikirkcontainers.com

All measurements are approximate and subject to change.