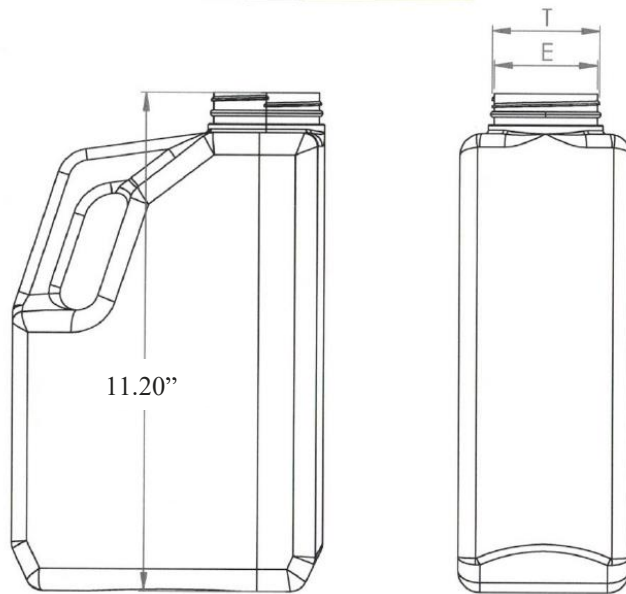
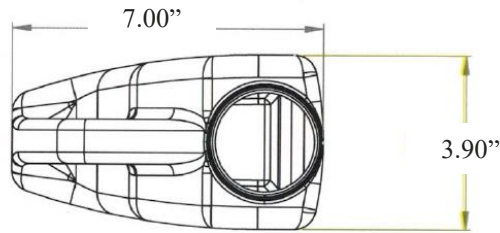


API KIRK CONTAINERS

¾ GALLON BOTTLE



Mold	185
Material	HDPE - FDA APPROVED
Height	11.20"
Length	7.00"
Width	3.90"
Neck Finish	63 mm
Weight	0.33 lbs / 150 gr
Shipping Units	672



+1 (323) 888-1077

info@apikirkcontainers.com

www.apikirkcontainers.com

All measurements are approximate and subject to change.