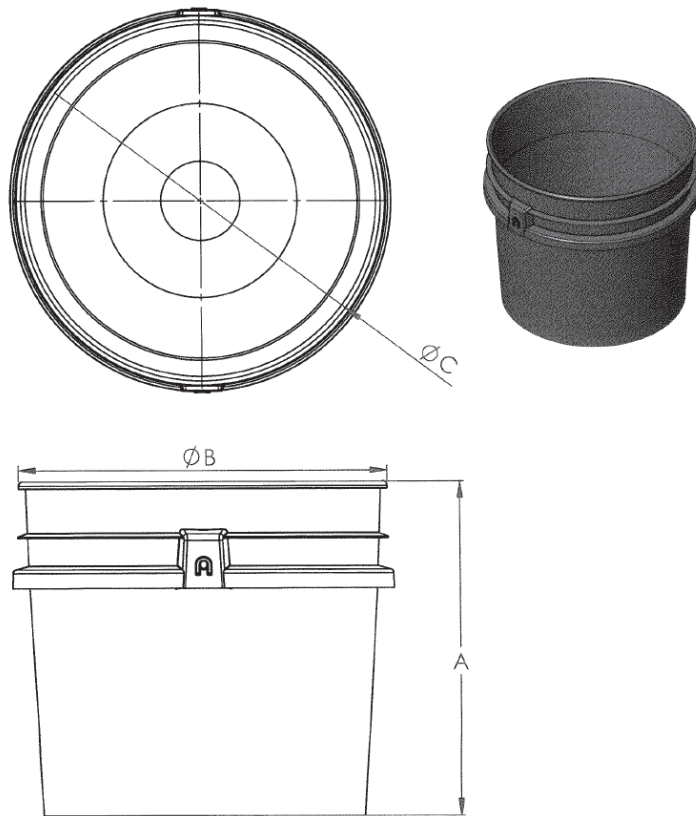


API KIRK CONTAINERS

3.5 GALLON PAIL



Mold	38
Material	HDPE – FDA APPROVED
Height	10.75"
Top	11.90"
Bottom	11.40"
Wall Thickness	0.075"
Weight	1.51 lbs / 686 gr
Available Handles	Metal or Plastic
Pallet Count	384
Pallet Dimension	48 x 48 x 98
Shipping Units	1 x 384
Pallet Weight	580 lbs



+1 (323) 888-1077

info@apikirkcontainers.com

www.apikirkcontainers.com

All measurements are approximate and subject to change.