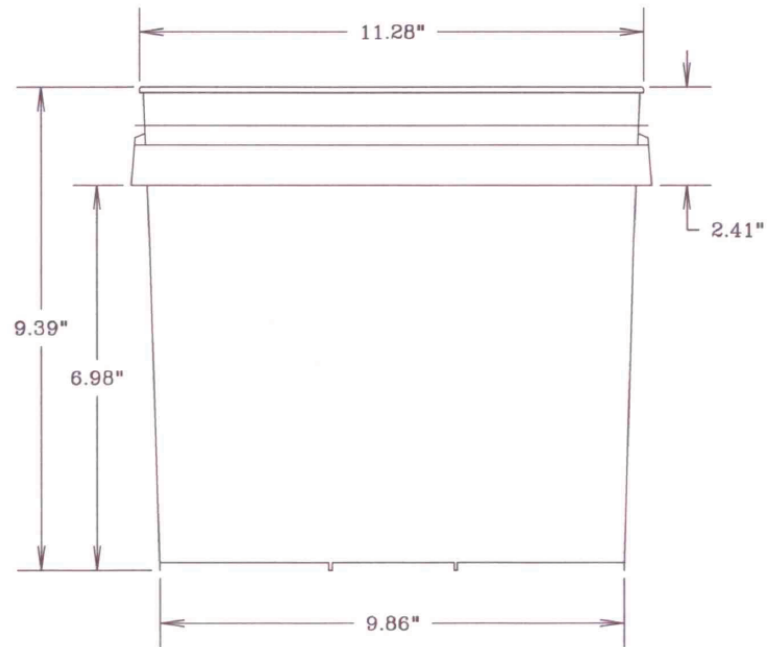


API KIRK CONTAINERS

3 GALLON ROUND PAIL



Mold	36
Material	HDPE - FDA APPROVED
Height	9.39"
Top	11.28"
Bottom	9.86"
Wall Thickness	0.07"
Weight	1.10 lbs / 490 gr
Available Handle	Plastic
Pallet Count	360
Pallet Dimension	48 x 48 x 98
Shipping Units	1 x 360
Pallet Weight	435 lbs



+1 (323) 888-1077

info@apikirkcontainers.com

www.apikirkcontainers.com

All measurements are approximate and subject to change.