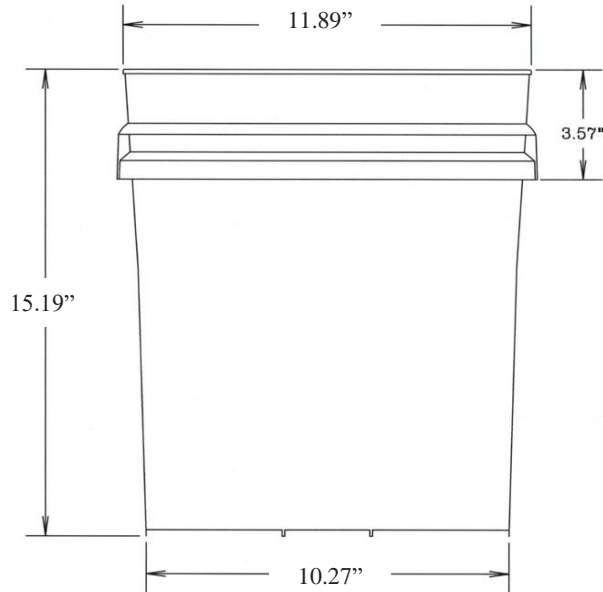


# API KIRK CONTAINERS

## 20 LITER UN PAIL



Mold	26
Material	HDPE - FDA APPROVED
Height	15.19"
Top	11.89"
Bottom	10.27"
Wall Thickness	0.090"
Weight	2.11 lbs / 960 gr
Available Handles	Metal or Plastic
Pallet Dimension	48 x 36 x 98
Shipping Units	240
Pallet Weight	562 lbs

