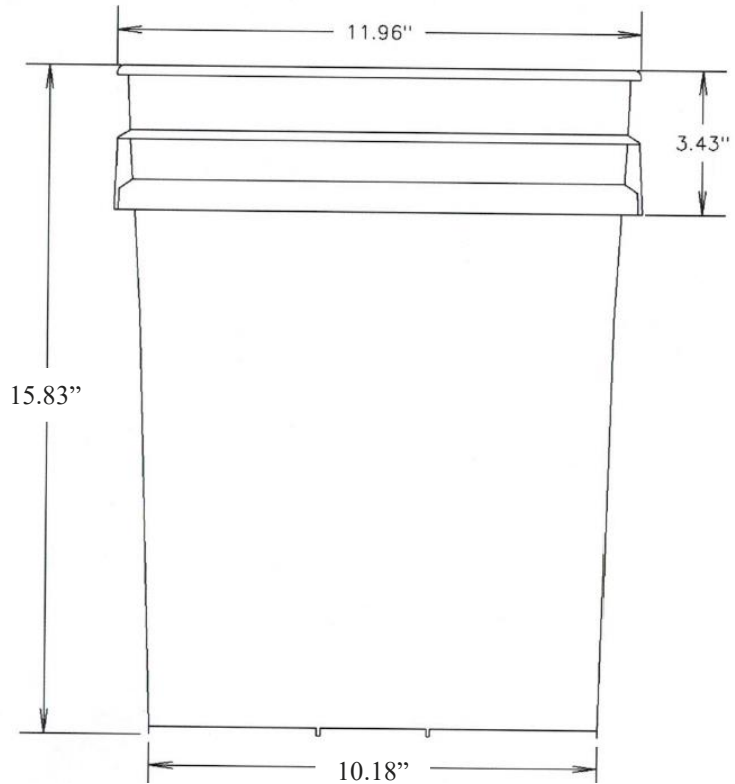


API KIRK CONTAINERS

20 LITER PAIL



Mold	18
Material	HDPE – FDA APPROVED
Height	15.83"
Top	11.92"
Bottom	10.18"
Wall Thickness	0.09"
Weight	2.11 lbs / 960 gr
Available Handles	Metal or Plastic
Pallet Dimension	48 x 36 x 98
Shipping Units	240
Pallet Weight	678 lbs

