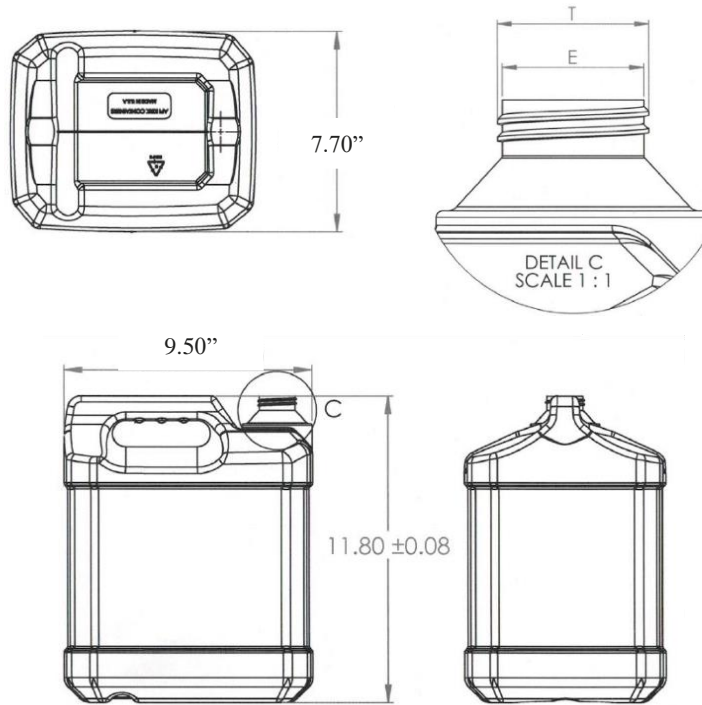


# API KIRK CONTAINERS

## 2.5 GALLON DEF BOTTLE



Mold	270
Material	HDPE - FDA APPROVED
Height	11.80"
Length	9.50"
Width	7.70"
Neck Finish	38 mm
Weight	0.66 lbs / 315 gr
Pallet Dimension	48 x 48 x 111
Shipping Units	270
Pallet Weight	230 lbs

