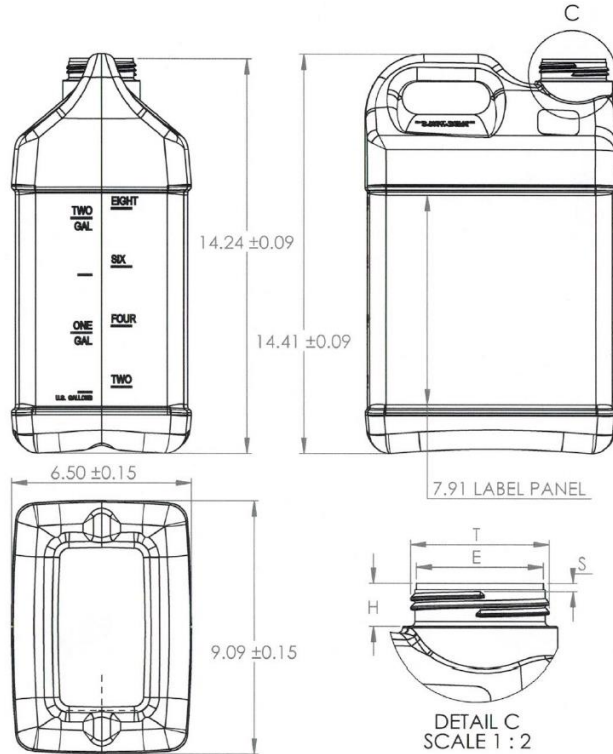


# API KIRK CONTAINERS

## 2.5 GALLON F-Style



Mold	250
Material	HDPE - FDA APPROVE
Available	2 x 2.5 gal UN RSC
Height	14.24"
Length	9.09"
Width	6.50"
Neck Finish	63 mm
Weight	0.85 lbs / 380 gr
Case Count	90
Pallet Dimension	48 x 42 x 105
Shipping Units	180
Pallet Weight	193 lbs



For UN compliance, please refer to our UN testing certification and closing instructions. Available upon request.

All measurements are approximate and subject to change.