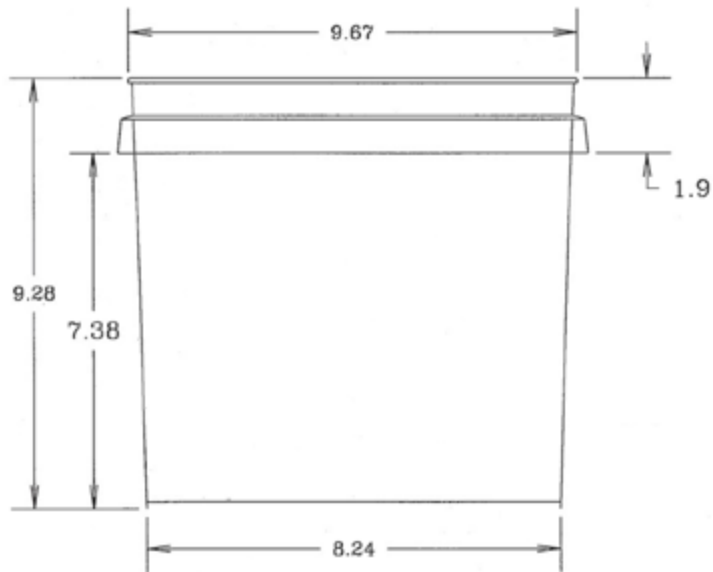


# API KIRK CONTAINERS

## 2 GALLON PAIL



Mold	40
Material	HDPE - FDA APPROVED
Height	9.30"
Top	9.67"
Bottom	8.24"
Wall Thickness	0.065"
Weight	0.78 lbs / 355 gr
Available Handles	Metal or Plastic
Pallet Count	360
Pallet Dimension	48 x 44 x 46
Shipping Units	2 x 360 = 720
Pallet Weight	669 lbs



+1 (323) 888-1077

info@apikirkcontainers.com

www.apikirkcontainers.com

All measurements are approximate and subject to change.