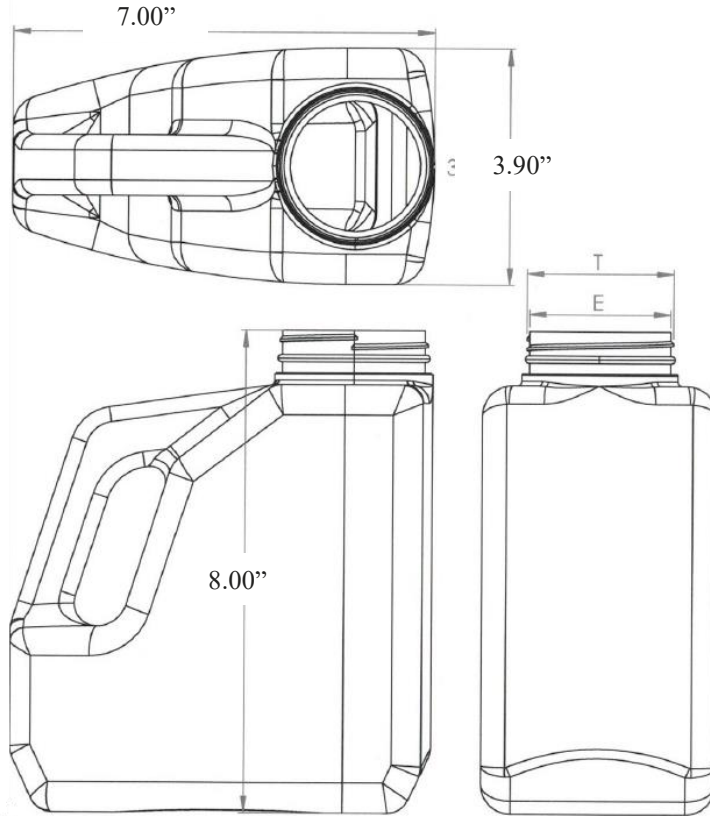


# API KIRK CONTAINERS

## ½ GALLON BOTTLE



Mold	182
Material	HDPE - FDA APPROVED
Height	8.00"
Length	7.00"
Width	3.90"
Neck Finish	63 mm
Weight	0.22 lbs / 100 gr
Shipping Units	1008



+1 (323) 888-1077

info@apikirkcontainers.com

www.apikirkcontainers.com

All measurements are approximate and subject to change.