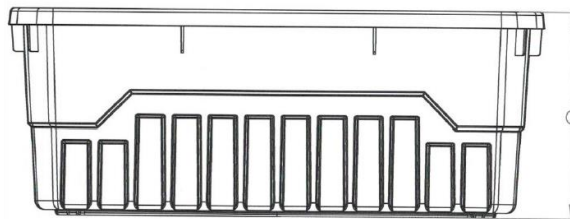
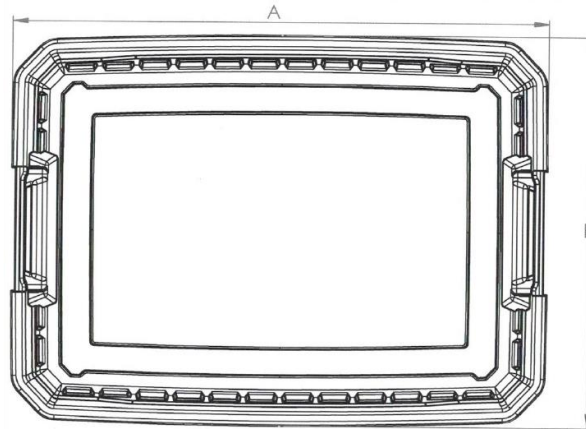


API KIRK CONTAINERS

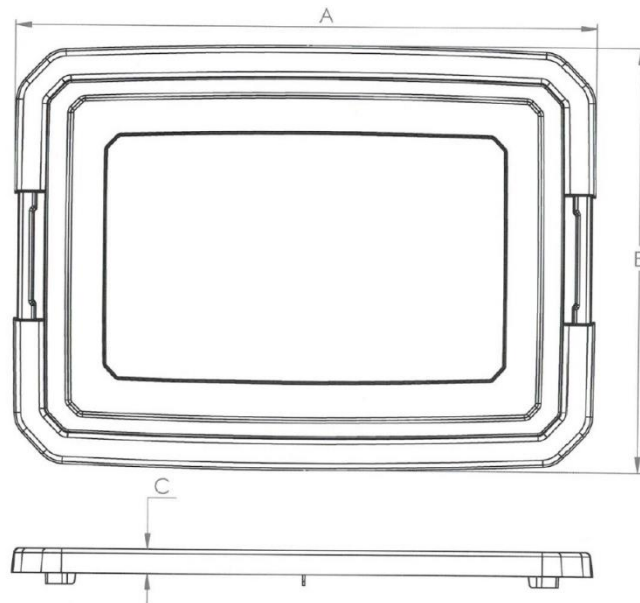
14 GALLON TOTE



Mold	814
Material	PP
Height	9.45"
Length	24.60"
Width	17.86"
Weight	3.09 lbs / 1402 gr
Shipping Units	80
Pallet Weight	294 lbs



API KIRK CONTAINERS TOTE LID



Mold	800
Material	PP
Height	1.10"
Length	25.12"
Width	18.12"
Weight	1.44 lbs / 654 gr
Shipping Units	240
Pallet Weight	433 lbs

